

General Purpose Regulator Assembly



General Specifications:

The Amico General Purpose Regulator Assembly shall provide medical gas delivery pressure control to surgical tools or apparatus.

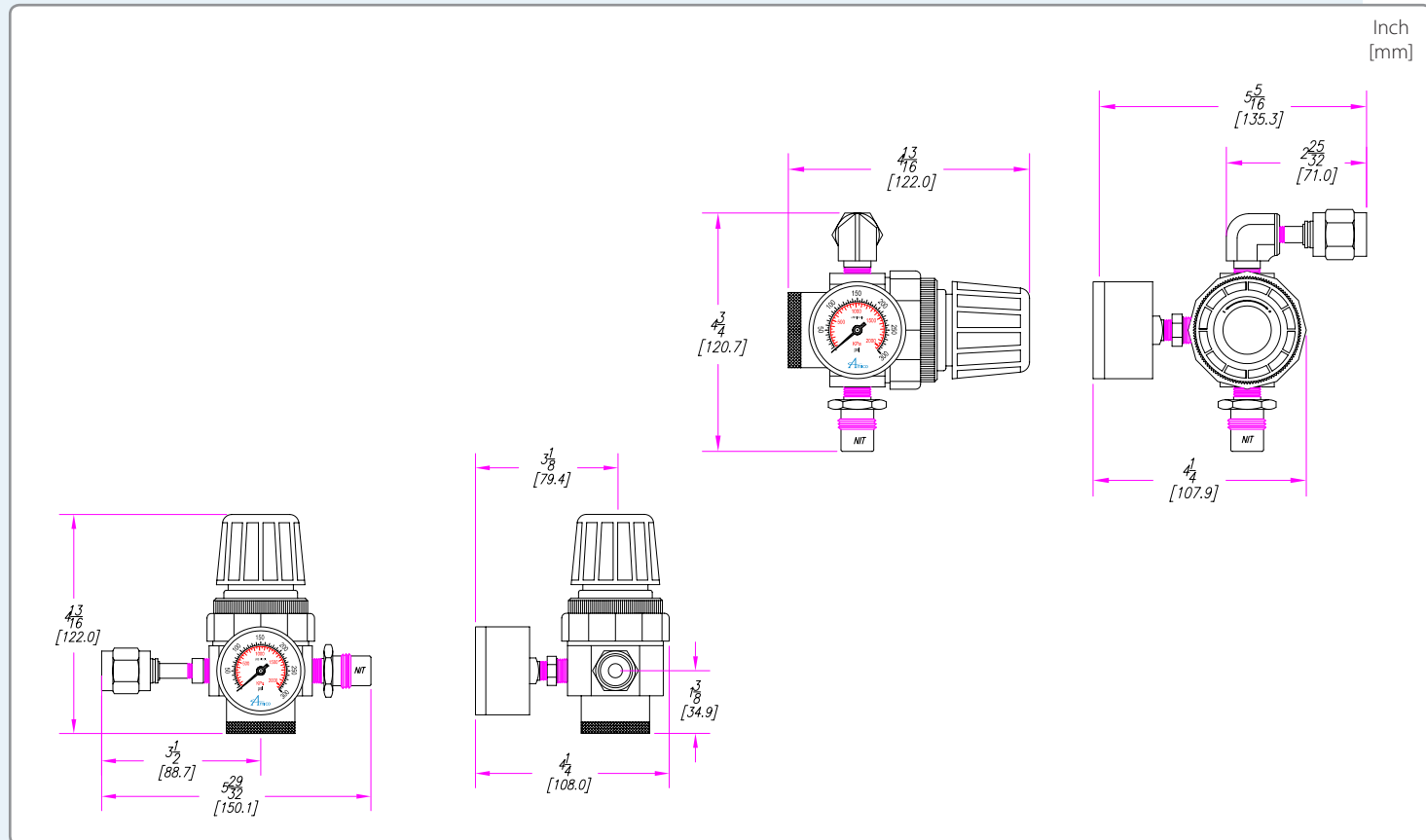
The regulator body shall be made of zinc and die cast. The fittings shall be made of chrome-plated brass.

Amico's General Purpose Regulator Assembly is cleaned for medical gas service.

Features:

- Gauge Port (2): 1/4" (6.35mm)
- Port Threads: 1/4", 1/2" (6.35mm, 12.7mm)
- Temperature Rating: 40 °F to 125 °F (4.4 °C to 52 °C)
- Weight: 1.3 lbs. (0.59 kg) / unit
- High Flow: 1/4" (6.35mm) - 80 SCFM
1/2" (12.7mm) - 100 SCFM
- Adjusting Knob: Acetal
- Body: Zinc
- Bottom Plug: Brass
- Elastomers: Buna N
- Spring Case: Acetal
- Contains a self-relieving type pressure regulator with a 10 to 250 psig range
- Control knob assists in regulator adjustment
- 1-1/2" (38.1mm) diameter, 0 to 300 psig pressure gauge

Technical Specifications



Model Numbers

R-WAR10-O-GAS-X

"O" represents the orientation:

H = Horizontal
V = Vertical

"X" represents the coupler type:

D = DISS
S = Schraeder (AIR, N2O & NIT only)

"GAS" represents gas type:

Nitrogen = NIT
Carbon Dioxide = CO2
Nitrous Oxide = N2O
Medical Air = AIR
Instrument AIR = INA